

## Industrial 5-Port Unmanaged Fast Ethernet Switch with Optical Fiber

- EH2305-1Fm/1Fs

### Technology

- 10/100BaseT(X) (RJ45), 100BaseFX (SC/ST connector)
- Broadcast storm protection
- Support IEEE 802.3/ 802.3u/ 802.3x
- 10/100M, Full/Half-Duplex, MDI/MDI-X auto-detection
- Local area transmit distance of 2 Km with Multi-mode Fiber connections
- Long-haul transmit distance of 15 Km with Signal-mode Fiber connections

### Reliability

- Redundant dual DC power inputs
- Operating temperature ranges from -10~70°C
- Rugged high-strength housing
- DIN-Rail or wall mounting ability

The EH2305-1Fm/1Fs has a metal housing with 4 RJ-45 ports and one optical ST/SC port, it's designed to work in the industrial environment, such as in hazardous locations that comply with CE, FCC, UL and RoHS standards.

The EH2305 series protects itself from receiving too many broadcast packets. During normal use, broadcast packets will be forwarded to all ports except the source port. However, it will discard broadcast or multicast packets if the number of those packets exceeds a threshold in a preset period of time. When the preset period expires (about 800ms), it will then resume receiving broadcast or multicast packets until the threshold is reached again.

The EH2305 series provides two redundant power inputs that can be connected simultaneously to wide-range DC power sources. If one of the power inputs failure, the other live source acts as a backup to provide EH2305 series the power it needs automatically.

## General Specifications:

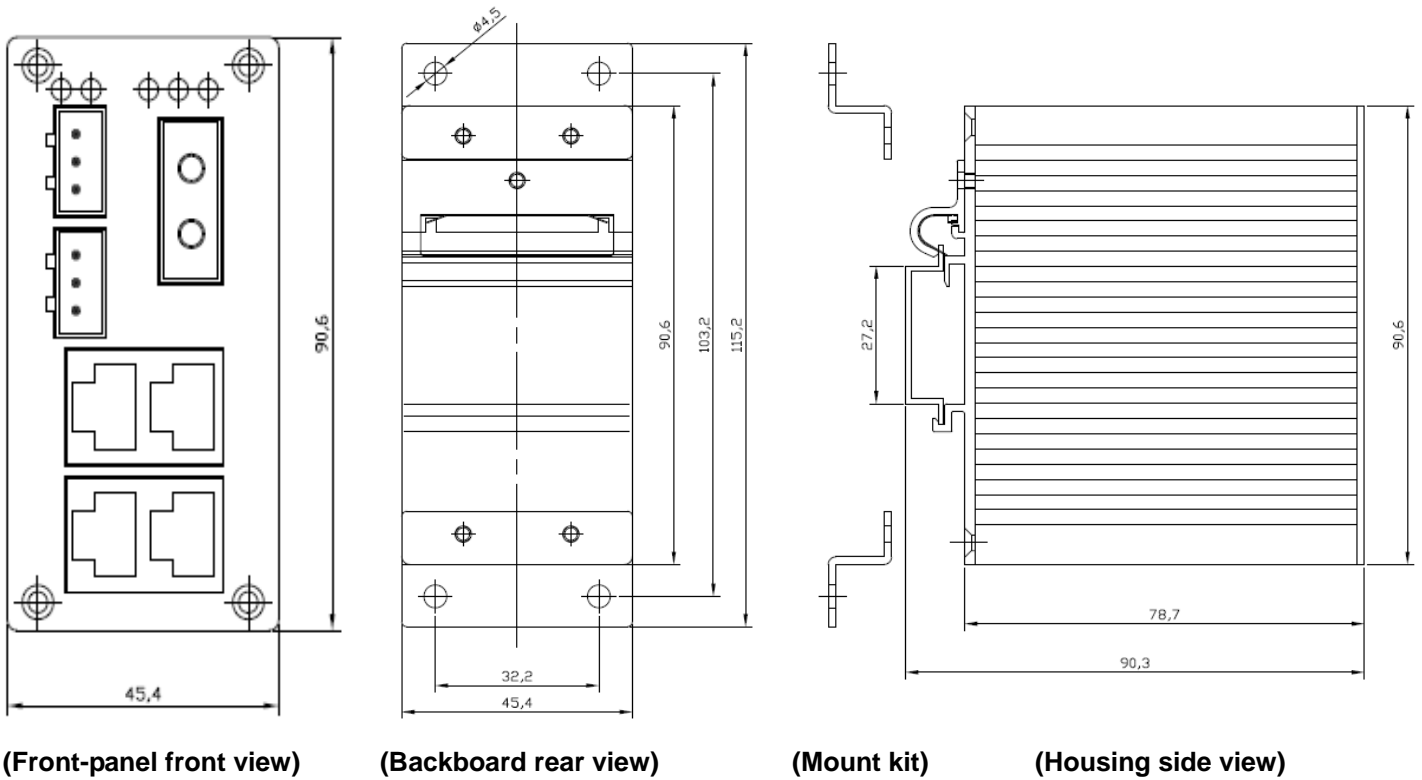
General Specifications	
Technology	
Standards	IEEE802.3, 802.3u, 802.3x
Processing Type	Store and Forward
Flow Control	IEEE802.3x flow control, backpressure flow control
Interface	
RJ45 Ports	10/100BaseT(X) auto negotiation speed Full/Half-duplex mode, and auto MDI/MDI-X connection
Fiber Ports	ST connector(Multi-mode) for 100 Base FX port SC connector(Single-mode) for 100 Base FX port
LED Indicators	Power, 10/100M, Fault, Data, Link
Power Management	
Input Voltage	9~30 VDC, Dual inputs
Consumption	4.5 Watts Max
Connector	Removable 3-pin Terminal Block for power input
Reverse Polarity Protection	Present
Physical Characteristics	
Housing	IP50 protection, metal housing
Dimension	45.2mm x 90mm x 78mm (W x H x D)
Weight	255g
Environmental Limits	
Operating Temperature	-10°C~70°C (14°F~158°F)
Storage Temperature	-40°C~85°C (-40°F~185°F)
Ambient Relative Humidity	5%~95% non-condensing
Regulatory Approvals	
UL(Safety)	UL60950-1, CSA C22.2 No.60950-1-03
FCC(EMI)	FCC 47 CFR Part15, Subpart B, Class A ICES-003, Class A ANSI C63.4-2003
CE(EMI)	EN 55022:1988+A1:2000+A2:2003, Class A EN 61000-3-2:2000, Class A EN 61000-3-3: 1995+A1:2001
CE(EMS)	EN 55024:1998+A1:2001+A2:2003

	IEC 61000-4-2:2001
	IEC 61000-4-3:2002+A1:2002
	IEC 61000-4-4:2004
	IEC 61000-4-5:2001
	IEC 61000-4-6:2003+A1:2004
	IEC 61000-4-8:2001
	IEC 61000-4-11:2004
Shock	IEC 60068-2-27
Free Fall	IEC 60068-2-32
Vibration	IEC 60068-2-6
RoHS	Lead(Pb) Free
MTBF	471160 hrs(25°C) / 53.79 years(25°C)
Warranty	5 years
Optional Accessories	
AD17-24C (US): AC100V~240V/DC24V for terminal block, US adapter	
AD17-24D (EU): AC100V~240V/DC24V for terminal block, EU adapter	
US315-12(US/EU) : AC100~240V/DC12V ; 5.08mm pitch terminal block	

## Optical Fiber Specifications:

Optical Fiber Specifications		
Speed	Fast Ethernet 100BaseFX	
Mode	Multi-mode	Single-mode
Connectors	ST	SC
Typical Distance	2Km(Max)	15Km(Max)
Cable Size Core/Cladding	62.5/125 um	9/125 um
Wavelength	1270(Min)~1360(Max) nm	1263(Min)~1360(Max) nm
Max. TX Power	-14 dBm	-8 dBm
Min. TX Power	-19 dBm	-15 dBm
RX Sensitivity	-34 dBm(Typical) -32 dBm(Max)	-32 dBm(Max)
Link Budget	---	---
Saturation / Overload	---	---
Typical Budget	---	---

## EH2305-1Fm/1Fs series mechanical dimensions(unit=mm)



## Ordering Information:

Ordering Information			
Model Name	Port Interface		
Extended Temperature (-10°C~70°C)	10/100BaseT(X)	100BaseFX	
		Multi Mode ST Connector	Single Mode SC Connector
EH2305-1Fm	4	2	---
EH2305-1Fs	4	---	2