

Where Innovation Meets Quality

iSeries Monitor

Disinfectable - Fanless - Maintenancefree - Modular



Multitouchscreen



Where Innovation Meets Quality

Description / Applications

Features :

- Modular high-end – Medical - Monitor with complete closed housing (IP65)
- Disinfectable and washable , fanless , sterile , fail-safe and maintenancefree
- Durable and error-free even under critical environmental conditions
- Fast data input via functionkeys as well as optional projected capacitive Touchscreen with Multitouchfunction
- Various input-devices are connectable
- Ports : DVI, VGA
- Passive cooling concept **without** ventilation-slot and **without** fan
- Slim aluminium housing with especially plain surface, protected all around
- Medical suited mounting- and fastening concept with VESA 100 Norm

Applications:

- Frontend for eg. OR - (surgery, anesthesia, radiology), air-locks , sterile good accommodation and clean-space
- Visualising / documentation
- ultrasonic
- Dual-Head (illustration of two or more applications) in combination with Medical Computer

Settings : OSD Functions

- Via Functionkeys on the foilkeys the following values are adjustable :
 1. Color Setting : Brightness, Contrast, Color Adjust, Color Temp, Auto Color
 2. Image Setting : Gamma, Auto Adjust, Phase, Clock, Sharpness
 3. Position Setting : H. Position, V Position
 4. OSD Setting : OSD H. Position, OSD V. Position, OSD Timer
 5. Language Setting : English, Korean, German
 6. Misc. Setting : Signal Source, Reset

Options :

- Mountings for OR – carriers; walls; ceiling failitys etc.
- Remote Control Interface to Host-PC
- Medical keyboards and mice (IP65); Scanner and reader



Where Innovation Meets Quality

Technical Data iSeries Monitor

Systemdata :

	18,5"	21,5"
Resolution	1366 x 768	1920 x 1080
Contrast Ratio	1.000:1	1000:1
Viewing Area	170/178	170/178
Pixel Size	0,294 x 0,294	0,248 x 0,248
Weight	8,0 kg	9,3 kg
Brightness	250 cd/m2	
Colors	16,7 Mio.	
Response Time	5 ms	
Power Supply	240 VAC or 12 VDC	
Mounting	VESA 100	

Interfaces :

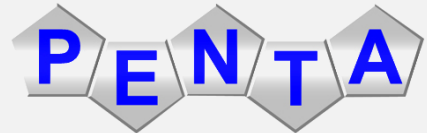
Touch (option)	projected capacitive Touchscreen, without loss of brightness on the Display
VGA	15pin HD DSUB
DVI	DVI-I
USB	USB 2.0 Interface (for connecting the Touchscreen to Host-PC)

Environment conditions :

Operating-Temperature	0°C to + 50°C
Storage-Temperatur	- 10°C to + 60°C
Humidity (Operating)	10% to 90% relative humidity (not condensing)
Humidity (Storage)	5% to 95% relative humidity (not condensing)

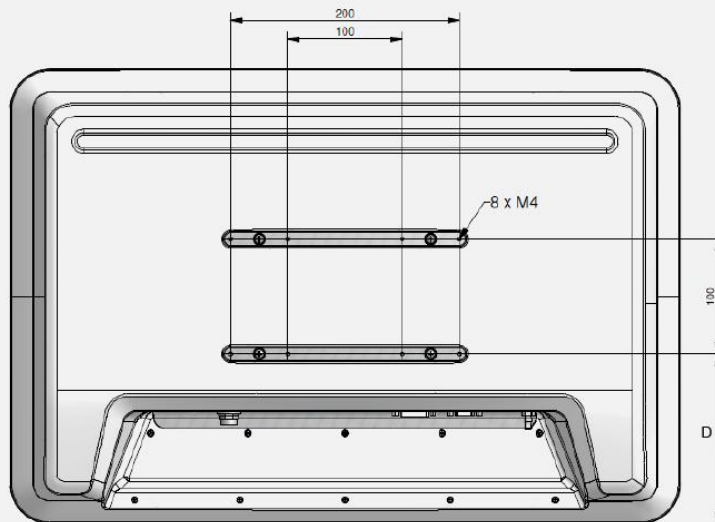
Certificates: CE Certificate of Conformity

Medical	EN60601-1 (1990) + A1 (1993) + A2 (1995) + A12 (1993) + A13 (1996, IEC 60601-1 -2 (2001)
Directive93/42/EEC	EN60601-1-2 (2001)
	RoHS compliant
	ISO 9001 (2008) ; ISO 13485 (2007)
	WEEE-Reg.-Nr. DE 70246803



Where Innovation Meets Quality

Sizes iSeries Monitor



	A	B	C	D
18,5"	525,6	89,9	363,7	167,85
21,5"	585,6	95,9	395,7	147,9

All sizes in mm

REV. 10.2012