

# EverGreen Plus SATA SSD



## Features

- High Performance
- S.M.A.R.T. & i-S.M.A.R.T. Supported
- MLC Flash with L2 Architecture
- Power cycling protection
- Long Life : Warranty 6 years

R:220MB/s  
W:150MB/s

SATA II  
3Gb/s

ECC &  
Wear leveling

Thermal  
sensor

S.M.A.R.T

L<sup>2</sup> Tech.

## Mechanicals

Dimension (W x L x H)	69.8mm x 100.1mm x 9.3mm
Weight	105g±5g
Vibration	7 Hz to 2K Hz , 3 axes
Shock	Duration: 1500G/0.5ms , 3 axes

## Specifications

Connector Type	Standard 7+15 Pin SATA Connector
Flash Type	MLC (Multi Level Cell)
Density	8GB, 16GB, 32GB, 64B, 128GB, 256GB, 512GB
Interface	SATA II, SATA I, PIO 0~4, MDMA 0~2, UDMA 0~6
Sustained R/W Performance	Read : 220MB/sec (max.) Write : 150 MB/sec (max.)
User capacity	Reserve 20% for L2 algorithm

## Health monitoring Tool

S.M.A.R.T.	Supported
i-S.M.A.R.T.	Supported (Utility for Windows, Linux)

## Special Features

Security	Write Protection(option)
Power Cycling Protection	iCell
Thermal Sensor(TS)	Supported (optional)

## Environmental

DC Input	+5V DC ± 5%
Power consumption (Max.)	Read: 450mA Write: 500 mA Idle: 214mA
Operating Temperature	0°C~+70°C (Standard Grade) -20°C~+85°C (Extended Grade)
Storage Temperature	-55°C~+95°C
Humidity	Relative Humidity: 10-95%, non-condensing
Endurance	3,000 program/erase cycles
MTBF	> 3,000,000 hours
Certification	CE, FCC, RoHS
Warranty	6 years

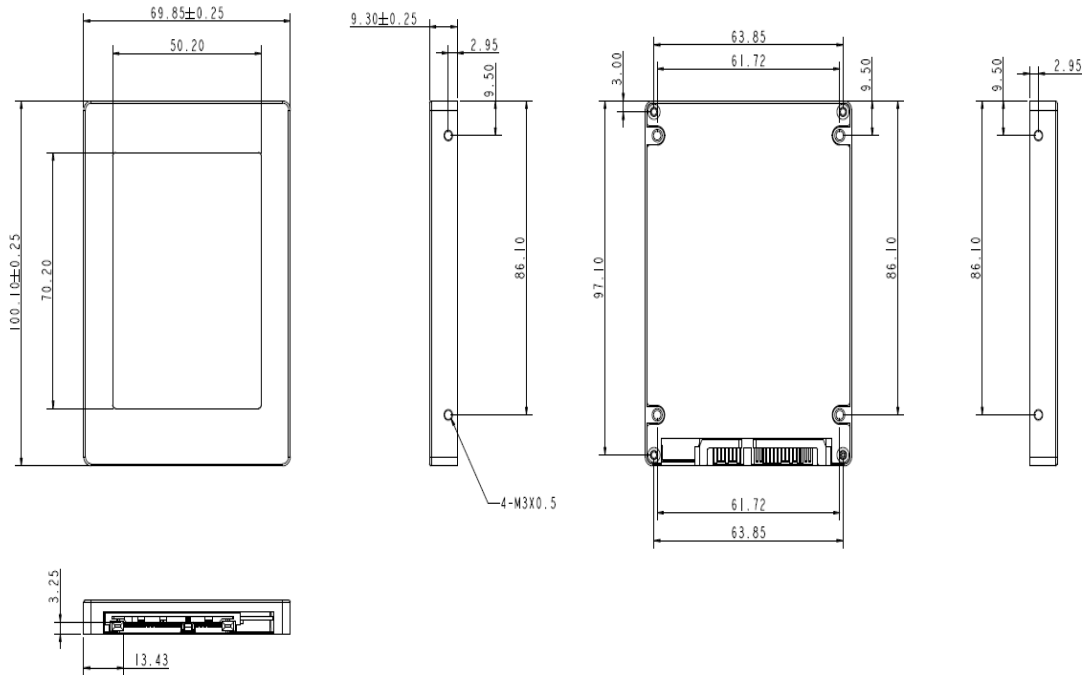
## Ordering Information

Capacity	Standard Grade	Industrial Grade
8GB	D2SL-08GJ20A CXDN	D2SL-08GJ20A EXDN
16GB	D2SL-16GJ20A CXQN	D2SL-16GJ20A EXQN
32GB	D2SL-32GJ20A CXEN	D2SL-32GJ20A EXEN
64GB	D2SL-64GJ20A CXEN	D2SL-64GJ20A EXEN
128GB	D2SL-A28J20A CXEN	D2SL-A28J20A EXEN
256GB	D2SL-B56J20A CXEN	D2SL-B56J20A EXEN
512GB	D2SL-C12J20A CXEN	D2SL-C12J20A EXEN
Note	X = PCB (2 = without TS; 3 = with TS)	

innodisk

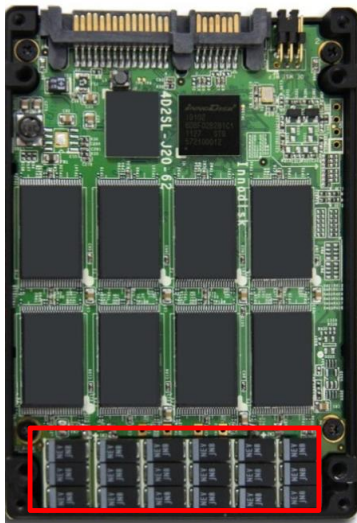
DESIGN • SERVICE • QUALITY • DELIVERY

Mechanical Dimension



DESIGN • SERVICE • QUALITY • DELIVERY

iCell technology for data protection and power cycling protection



EverGreen Plus is designed with voltage detector circuit. While abnormal power-off occurs, the detector circuit can detect the lower voltage caused by the sudden power shut off and get this feedback to SSD controller. Once SSD controller is received this feedback signal, SSD firmware will trigger the mechanism to write the data in the data buffer. As a result, iCell is able to provide power, even while power shut off, and there is no data loss happened to the SSD.

EverGreen Plus Capacity

Capacity	User LBA	User Capacity(GB)
16GB	26484736	12.5
32GB	52969472	25
64GB	105938944	50
128GB	211877888	100
256GB	423755776	200
512GB	976442432	475

