

EverGreen Plus SATA SSD



FEATURES

- High Performance
- S.M.A.R.T. & i-S.M.A.R.T. Supported
- MLC Flash with L² Architecture
- Power cycling protection
- Long Life : Warranty 6 years

R: 220MB W: 150MB	S.M.A.R.T	Cost Efficiency
Excellent IPOS	L ² Architecture	Wear Leveling

Specifications

Connector Type	Standard 7+15 Pin SATA Connector
Flash Type	MLC (Multi Level Cell)
Density	8GB, 16GB, 32GB, 64B, 128GB, 256GB
Interface	SATA II, SATA I, PIO 0~4, MDMA 0~2, UDMA 0~6
Sustained R/W Performance	Read : 220MB/sec (max.) Write : 150 MB/sec (max.)

Environmental

DC Input	+5V DC ± 5%
Power consumption (Max.)	Read: 376mA Write: 352 mA Idle: 214mA
Operating Temperature	0°C~+70°C (Standard Grade) -40°C~+85°C (Industrial Grade)
Storage Temperature	-55°C~+95°C
Humidity	Relative Humidity: 10-95%, non-condensing
Endurance	100,000 program/erase cycles
MTBF	> 3,000,000 hours
Certification	CE, FCC, RoHS
Warranty	6 years

Mechanicals

Dimension (W x L x H)	69.6mm x 99.8mm x 9.3mm
Weight	105g±5g
Vibration	7 Hz to 2K Hz, , 3 axes
Shock	Duration: 1500G/0.5ms, , 3 axes

Health monitoring Tool

S.M.A.R.T.	Supported
i-S.M.A.R.T.	Supported (Utility for Windows, Linux)

Special Features

Security	Write Protection(option)
Power Cycling Protection	iCell

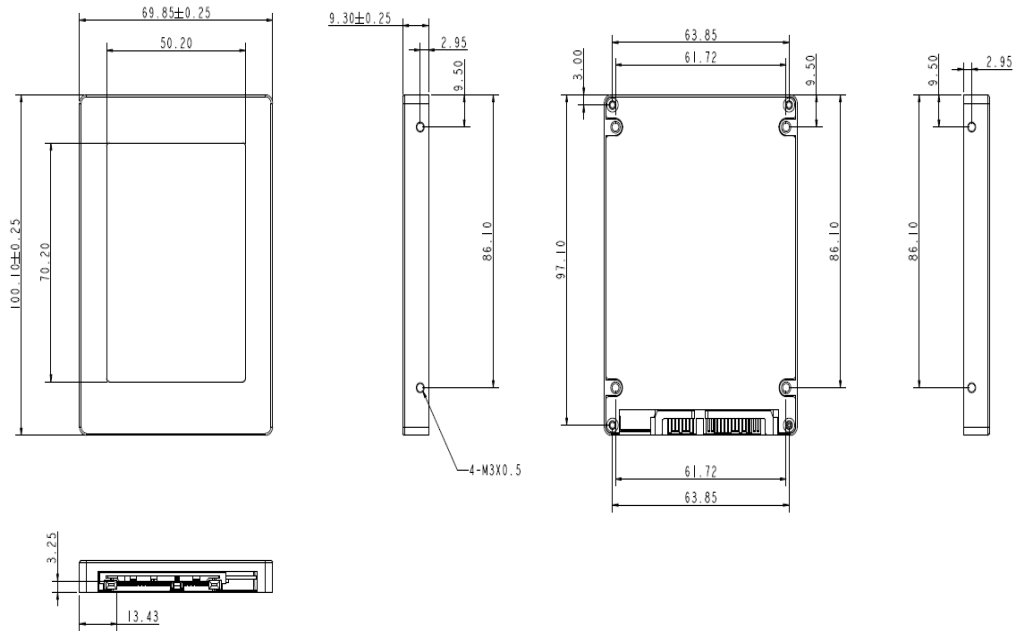
Ordering Information

Capacity	Standard Grade	Industrial Grade
8GB	D2SL-08GJ20A <u>C</u> 2DN	D2SL-08GJ20A <u>W</u> 2DN
16GB	D2SL-16GJ20A <u>C</u> 2QN	D2SL-16GJ20A <u>W</u> 2QN
32GB	D2SL-32GJ20A <u>C</u> 2EN	D2SL-32GJ20A <u>W</u> 2EN
64GB	D2SL-64GJ20A <u>C</u> 2EN	D2SL-64GJ20A <u>W</u> 2EN
128GB	D2SL-A28J20A <u>C</u> 2EN	D2SL-A28J20A <u>W</u> 2EN
256GB	D2SL-B56J20A <u>C</u> 2EN	D2SL-B56J20A <u>W</u> 2EN

DESIGN • SERVICE • QUALITY • DELIVERY



Mechanical Dimension



iCell technology for data protection and power cycling free

EverGreen Plus is designed with voltage detector circuit. While abnormal power-off occurs, the detector circuit can detect the lower voltage caused by the sudden power shut off and get this feedback to SSD controller. Once SSD controller is received this feedback signal, SSD firmware will trigger the mechanism to write the data in the data buffer. As a result, iCell is able to provide power, even while power shut off, and there is no data loss happened to the SSD.



EverGreen Plus Capacity

Capacity	User LBA	User Capacity(GB)
16GB	26484736	12.5
32GB	52969472	25
64GB	105938944	50
128GB	211877888	100
256GB	423755776	200

DESIGN • SERVICE • QUALITY • DELIVERY