

Impact-D 100



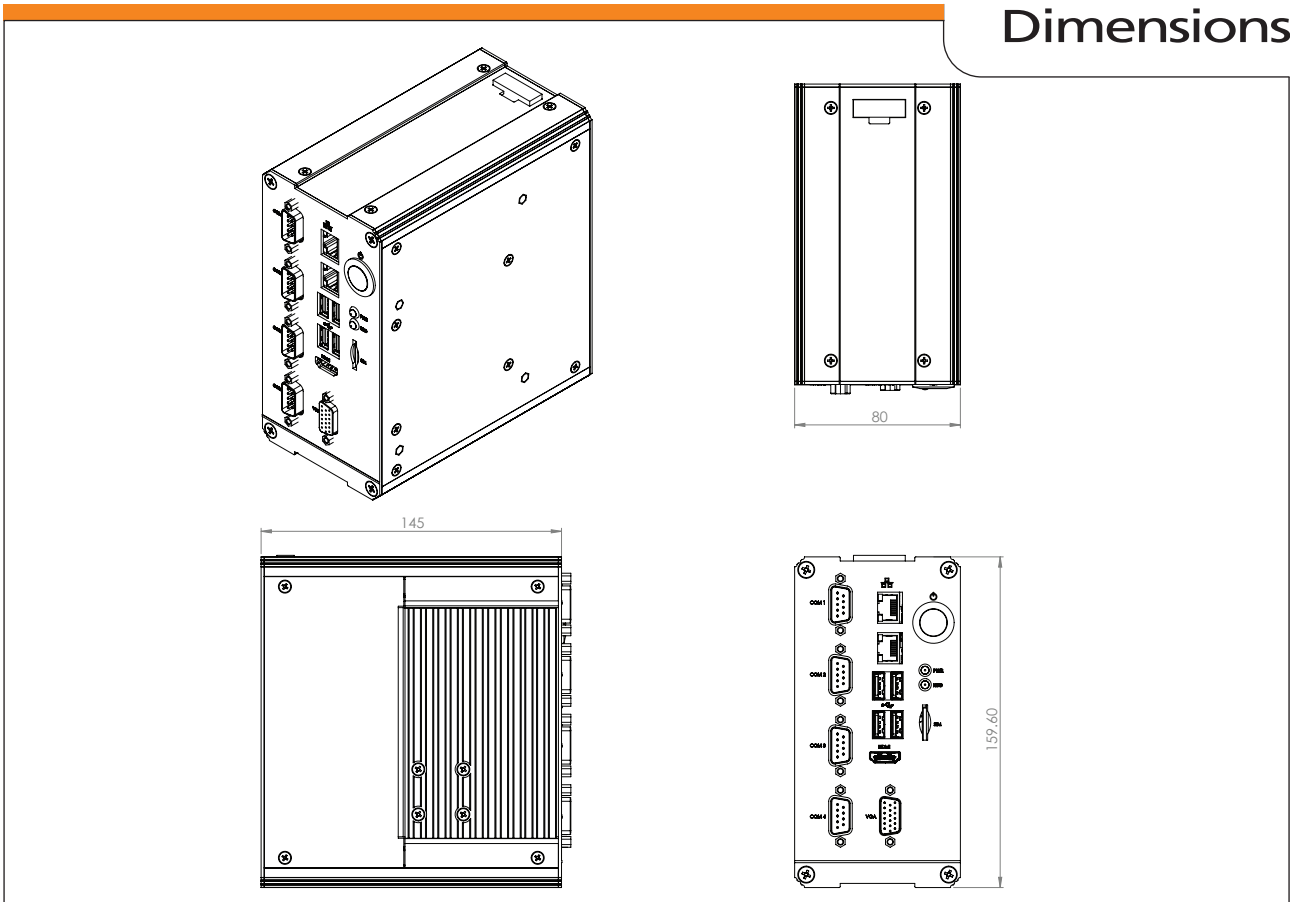
Features

The Impact-D 100 is a compact, DIN Rail mountable, low power embedded system, utilising Intel® 4th Generation ATOM™ processor technology.

Key features:-

- Low power consumption
- High end ATOM™ processing power
- Compact fanless design
- OEM branding available

Dimensions



Impact-D 100

Specifications

The information is believed to be accurate. However Amplicon Liveline Limited accepts no responsibility for any problems caused by errors and omissions. Specifications are subject to change without notice.

Hardware Specification	CPU: Intel® ATOM™ E3845 Main memory: 2GB SODIMM DDR3L 1066/1333MHz (max 8GB) LAN: Dual Intel® 10/100/1000 network connection (supports PXE and WoL)	Mechanical	Design: Rugged compact embedded design Cooling: Fanless design Construction: Extruded Aluminium Color: Black/Silver Dimensions: 80(W) x 160(H) x 14.5(D)mm
BIOS	AMI system BIOS	Environmental Operation	Acoustic noise: Near silent operation Operating Temperature: 0°C to 55°C Humidity: 0 to 90% non-condensing
Storage	Total drive capacity: 1 x 2.5" SATA SSD/HDD	Environmental Storage	Temperature: -20°C to 70°C Humidity: 5% to 90% @ 20°C
System Expansion	1 x mPCIe full length with SIM 1 x mPCIe half length	Electromagnetic Compatibility (EMC)	EN55022 Class A EN55024 Electrostatic discharge immunity test (EN61000-4-2) Enclosure port ±4kV Contact, applied to enclosure port ±8kV Air, applied to enclosure port Radiated, radio-frequency, electromagnetic field immunity test (EN61000-4-3) Enclosure port 80-1000MHz, 10 V/m (RMS, no modulation) 80% Modulation with 1kHz Sine wave Electrical fast transient/burst immunity test (EN61000-4-4) Power port AC, inc. protective earth Severity ±0.5kV Surge Immunity test (EN61000-4-5) Power port AC Severity ±2kV applied line to line Severity ±2kV applied line to earth Immunity to conducted disturbances induced by radio frequency fields (EN61000-4-6) Power port AC, inc. protective earth via CDN M3 0.15-80MHz, 10 V/m (no modulation) 80% Modulation with 1kHz Sine wave, applied via CDN Amplicon own a fully equipped EMC facility and can provide many additional tests to meet your requirements.
Supported O/S	Microsoft Desktop: Windows 7 and 8/8.1 (x86/x64) *Windows 7 does not support Intel® Sideband Fabric (Win 8/8.1 only) *Other operating systems are available		
General Interfaces	1 x VGA (1920 x 1200@75Hz) 1 x HDMI (1920 x 1200) 4 x USB 3.0 4 x COM DB9 (1 x RS232/422/485, 3 x RS232) 2 x Intel® GbE RJ45 (i210 chipset) 1 x SIM slot		
LED's and Switches	Power (PC on) LED Hard Disk access LED ATX system control switch		
Power	DC input: +9-36VDC		

Rear I/O plate

