

Impact-E 200HT



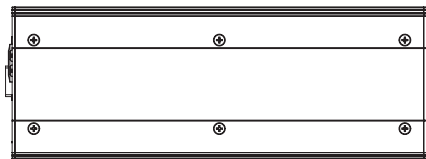
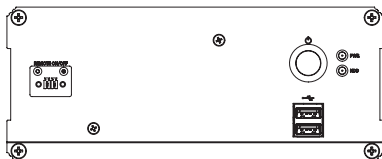
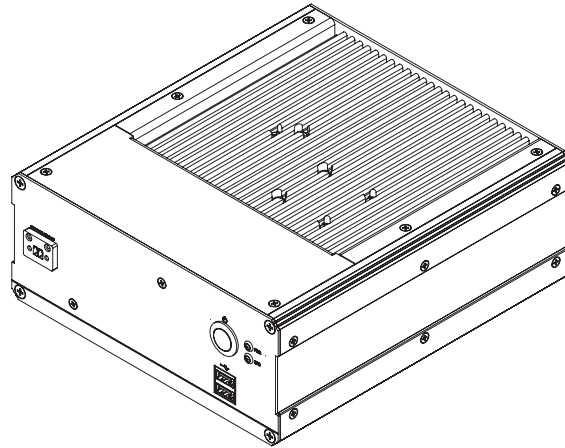
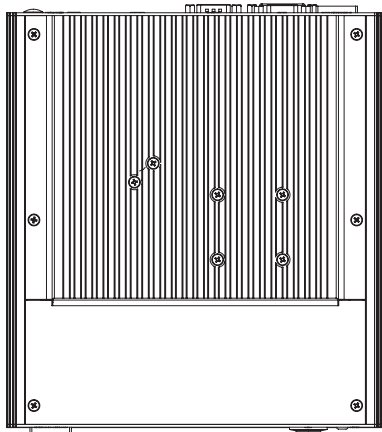
Features

The Impact-E 200HT is a compact, low power embedded system, utilising an Intel® Core™ 3rd Generation mobile processing technology. This achieves high processing power with minimal power draw. The Impact-E 200HT is assembled and tested within a lean manufacturing environment under ISO 9001.

Key features:-

- Low power consumption
- High end processing power
- iAMT 8.0 support
- Compact design
- 1 year warranty
- Operating Temperature: -20 C to +70 C

Drawings



Impact-E 200HT

The information is believed to be accurate. However Amplicon Liveline Limited accepts no responsibility for any problems caused by errors and omissions. Specifications are subject to change without notice.

Specifications

Hardware specifications	CPU: Intel iCore i5-3610ME Main memory: 2GB SODIMM DDR3 1333MHz (max: 16GB 1600MHz) Chipset: Intel QM77 PCH LAN: Dual integrated 10/100/1000 network connection	Mechanical	Design: Rugged compact embedded design Cooling: Fanless design Construction: Extruded Aluminium Colour: Black Dimension: 200 x 88 x 220mm (W x H x D) Packaging: 355 x 260 x 335mm (W x H x D) Gross weight: 2.8kg
BIOS	AMI BIOS	Mounting options	Desk mount Wall mount (kit supplied as standard)
Storage	1 x 2.5" Solid state drive Total drive capacity:- 2 x 2.5" SATA SSD Support for RAID 0 and 1	Environmental operation	Acoustic noise: Near silent operation Operating Temperature: -20°C to +70°C Humidity: 0 to 90% non-condensing
System expansion	1 x PCI (not currently available) 1 x mPCIe (PCIe and USB signal) 1 x Additional 2.5" SSD	Environmental storage	Temperature: -20°C to 70°C Humidity : 5% to 90% @ 20°C
System architecture	Mini ITX form factor motherboard	Electromagnetic compatibility (EMC)	EN 55022 Class A EN 55024 Electrostatic discharge immunity test (EN61000-4-2) Enclosure port ±4kV Contact, applied to enclosure port ±8kV Air, applied to enclosure port Radiated, radio-frequency, electromagnetic field immunity test (EN61000-4-3) Enclosure port 80-1000MHz, 10 V/m (RMS, no modulation) 80% Modulation with 1kHz Sine wave Electrical fast transient/burst immunity test (EN61000-4-4) Power port AC, inc. protective earth Severity ±0.5kV Immunity to conducted disturbances induced by radio frequency fields (EN61000-4-6) Power port AC, inc. protective earth via CDN M3 0.15-80MHz, 10 V/m (no modulation) 80% Modulation with 1kHz Sine wave, applied via CDN Amplicon own a fully equipped EMC facility and can provide many additional tests to meet your requirements.
Supported O/S	Windows XP, Windows 7, Windows 8 (32 bit/64 bit)		
General Interfaces	4 x USB 3.0 ports, 2 x USB 2.0 2 x RJ45 LAN 1 x DVI-D, 1 x HDMI (1920 x 1200), 1 x VGA 1 x DB9 COM port 1 x Line-In/Surround 1 x Line Out, 1 x MIC In/Center + Subwoofer		
Display	Max resolution: 1920 x 1200 (per port)		
LED and switches	Power (PC on LED) Hard disk access LED ATX system control switch Remote On/Off		
Main board power options	Supports DC input voltage 12-24VDC		

Rear I/O Plate

