

Impact-E 210



Features

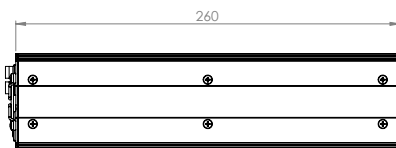
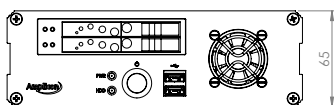
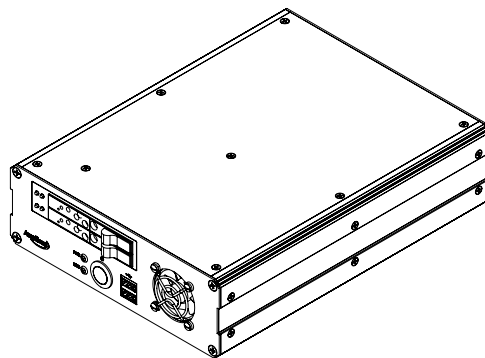
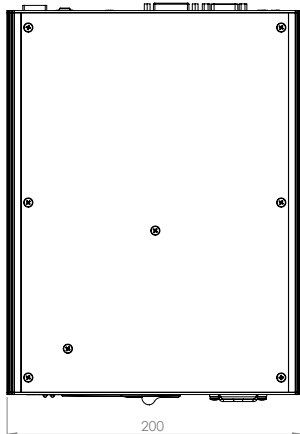
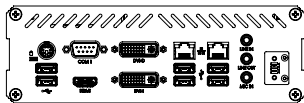
The Impact-E 210 is a compact, low power embedded system, utilising Intel® Sandy Bridge & Ivy Bridge processing technology. This achieves high processing power with minimal power draw.

The Impact-E 210 is assembled and tested within a lean manufacturing environment under ISO 9001.

Key features:

- Low power consumption
- Mobile Sandy Bridge & Ivy Bridge CPU
- Compact design
- Rich I/O
- 3 years warranty

Dimensions



Impact-E 210

The information is believed to be accurate. However Amplicon Liveline Limited accepts no responsibility for any problems caused by errors and omissions. Specifications are subject to change without notice.

Specifications

Hardware specifications	CPU: Intel® Mobile Sandy Bridge & Ivy Bridge Chipset: QM77 Express Memory: 2GB DDR3 SODIMM dual voltage (max: 16GB) LAN: Dual Intel® GbE LAN with iAMT v8.0	Power Input	
BIOS	AMI 64Mbit SPI BIOS	Mechanical	
Storage	2 x 2.5" SSD or HDD - removable	Mounting Options	Wall mounting
System Expansion	N/A	Environmental Operation	Acoustic noise: Near silent operation Operating Temperature: 0° ~ 50°C (with HDD) Humidity: 5% to 90% @ 25°C
System Architecture	Mini-ITX industrial mainboard	Environmental Storage	Temperature: -20° ~ 70°C
Support O/S	Windows XP/7/8/8.1/10 32 & 64-bit Linux support	Electromagnetic Compliance (EMC)	EN 55022 Class A EN 55024 Electrostatic discharge immunity test (EN61000-4-2) Enclosure port ±4kV Contact, applied to enclosure port ±8kV Air, applied to enclosure port Radiated, radio-frequency, electromagnetic field immunity test (EN61000-4-3) Enclosure port 80-1000MHz, 10 V/m (RMS, no modulation) 80% Modulation with 1kHz Sine wave Electrical fast transient/burst immunity test (EN61000-4-4) Power port inc. protective earth Severity ±0.5kV Immunity to conducted disturbances induced by radio frequency fields (EN61000-4-6) Power port inc. protective earth via CDN M3 0.15-80MHz, 10 V/m (no modulation) 80% Modulation with 1kHz Sine wave, applied via CDN Amplicon own a fully equipped EMC facility and can provide many additional tests to meet your requirements.
General Interfaces	Front: 2 x USB 2.0 Rear: 4 x USB 3.0 2 x USB 2.0 PS/2 Dual port 1 x DB9 (RS232/422/485) 1 x HDMI 1 x DVI-D 1 x DVI-I/VGA 2 x GbE LAN Line In/Line Out/Mic In		
Display	Intel® HD Graphics 4000 HDMI: 1920 x 1200 @ 60Hz DVI-D: 1920 x 1200 @ 60Hz DVI-I/VGA: 2048 x 1536 @ 75Hz Supports Direct X11, OpenGL 3.0		
LED and Switches	Power On (PC on LED) Hard drive access (LED) ATX System On/Off anti-vandal switch		