

## Impact-E 280



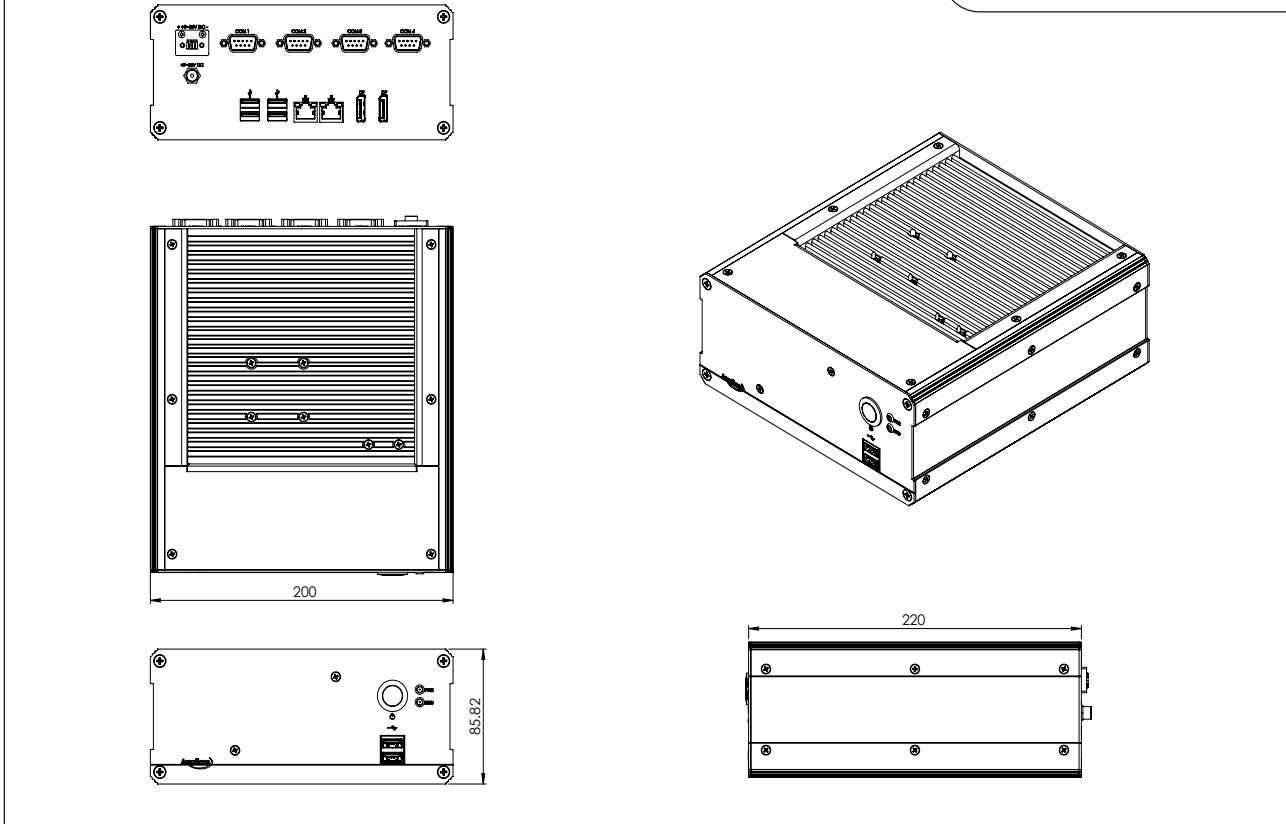
### Features

The Impact-E 280 is a compact, low power embedded system, utilising Intel® 8th and 9th Generation mobile iCore™ processing technology. This achieves high processing power with minimal power draw.

Key features:-

- Low power consumption
- High end processing power
- Compact design
- 3 year warranty
- 15 Year life cycle

### Dimensions



## Impact-E 280

The information is believed to be accurate. However Amplicon Liveline Limited accepts no responsibility for any problems caused by errors and omissions. Specifications are subject to change without notice.

### Specifications

Hardware specifications	CPU: 8th Generation Intel® Core™ Processors, LGA 1151 Socket, TDP up to 35W 9th Generation Intel® Core™ Processors, LGA 1151 Socket, TDP up to 35W Main memory: 4GB SODIMM DDR4 (max: 32GB 2666MHz MHz) Chipset: Intel® Q370 LAN: Dual integrated 10/100/1000 network connection	Main board power options	Supports DC input voltage +9-36VDC	
BIOS	AMI	Mechanical	Design: Rugged compact embedded design Cooling: Fanless design Construction: Extruded Aluminium Colour: Black Dimension: 200 x 88 x 220mm (W x H x D) Packaging: 355 x 260 x 335 (W x H x D) Gross Weight: 2.8kg	
Display	DP1.2: resolution up to 4096x2304 @ 60Hz	Environmental operation	Acoustic noise: Near silent operation Operating Temperature: 0°C to 55°C Humidity: 0 to 90% non-condensing	
Storage	2 x 2.5" SSD/HDD Support for RAID 0 and 1	Environmental storage	Temperature: -20°C to 70°C Humidity : 5% to 90% @ 20°C	
System expansion	1 x PCIe x4 (Gen 3) (Not currently available) 1 x M.2 2280 M Key (PCIe Gen3 x 4) 1 x M.2 2230 E Key (USB/PCIe)	Electromagnetic compatibility (EMC)	EN 55022 Class A EN 55024 Electrostatic discharge immunity test (EN61000-4-2) Enclosure port ±4kV Contact, applied to enclosure port ±8kV Air, applied to enclosure port  Radiated, radio-frequency, electromagnetic field immunity test (EN61000-4-3)  Enclosure port 80-1000MHz, 10 V/m (RMS, no modulation) 80% Modulation with 1kHz Sine wave  Electrical fast transient/burst immunity test (EN61000-4-4) Power port inc. protective earth Severity ±0.5kV  Immunity to conducted disturbances induced by radio frequency fields (EN61000-4-6)  Power port inc. protective earth via CDN M3 0.15-80MHz, 10 V/m (no modulation) 80% Modulation with 1kHz Sine wave, applied via CDN  Amplicon own a fully equipped EMC facility and can provide many additional tests to meet your requirements.	
Supported O/S	Windows 10/Linux		Certifications	CE
External Interfaces	4 x USB 3.1 2 x USB2.0 (Front) 2 x RJ45 LAN 2 x RS-232 2 x RS-232/422/485 2 x DP++			
LED and switches	Power (PC on LED) Hard disk access LED ATX system control switch			

### Rear I/O plate

