

# Impact-P 101D



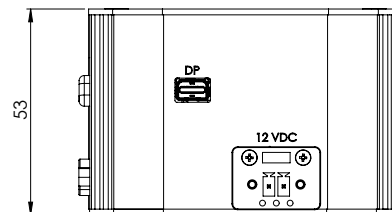
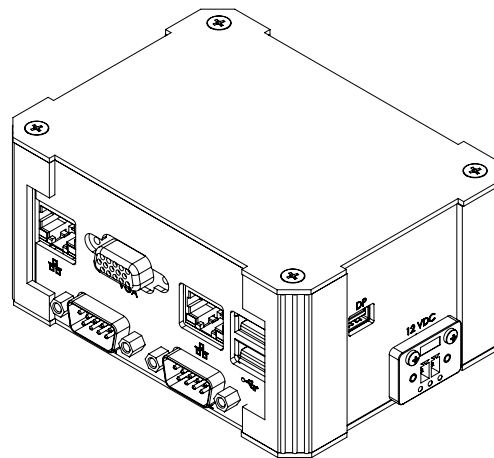
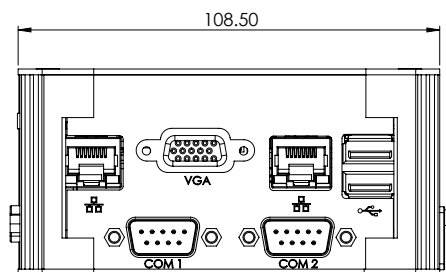
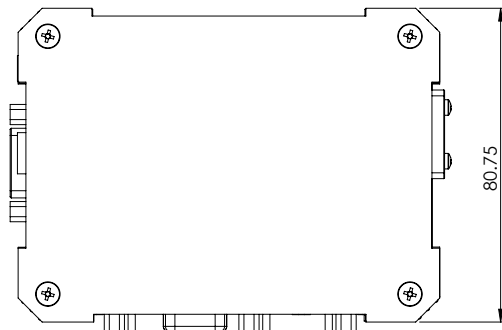
## Features

The IoT Edge ready Impact-P 101D is an ultra-compact, DIN Rail mountable, low power embedded system, utilising the superb Intel Atom® X5-E3930 processing technology.

Key features:

- 3 year warranty
- 15 year life cycle
- DIN Rail Mount

## Dimensions



# Impact-P 101D

## Specifications

The information is believed to be accurate. However Amplicon Liveline Limited accepts no responsibility for any problems caused by errors and omissions. Specifications are subject to change without notice.

|                          |                                                                                                                                                                                                                      |                         |                                                                                                                                                                                         |
|--------------------------|----------------------------------------------------------------------------------------------------------------------------------------------------------------------------------------------------------------------|-------------------------|-----------------------------------------------------------------------------------------------------------------------------------------------------------------------------------------|
| Hardware Specification   | CPU: Intel Atom® X5-E3930<br>Main memory: 4GB (Up to 8GB SODIMM DDR3)<br>LAN: Dual integrated 10/100/1000 Mbps                                                                                                       | Environmental Storage   | Temperature: -40°C to 85°C<br>Humidity: 5% to 95% RH Non-condensing                                                                                                                     |
| BIOS                     | Insyde SPI 64Mbit (supports UEFI boot only)                                                                                                                                                                          | Environmental Operation | Acoustic noise: Near silent operation<br>Operating Temperature: -20°C to 70°C<br>Humidity: 5 to 95% non-condensing<br>MTBF: 497,857 hrs @ 25°C; 318,774 hrs @ 45°C ; 213,436 hrs @ 60°C |
| Display                  | 1x VGA resolution up to 1920x1200 @ 60Hz<br>1x Mini DP++: resolution up to 4096x2160 @ 60Hz                                                                                                                          | Certifications          | CE/UKCA                                                                                                                                                                                 |
| Storage                  | 64GB M.2 SSD                                                                                                                                                                                                         |                         |                                                                                                                                                                                         |
| Supported O/S            | Windows 10 IoT Enterprise (64-bit), Linux                                                                                                                                                                            |                         |                                                                                                                                                                                         |
| TPM                      | TPM 2.0                                                                                                                                                                                                              |                         |                                                                                                                                                                                         |
| External Interfaces      | 2x USB 3.1 Front<br>2x RJ45 LAN (10/100/1000Mbps)<br>1x RS-232/422/485<br>2 x RS-232 only ports<br>1x VGA<br>1x Mini DP++                                                                                            |                         |                                                                                                                                                                                         |
| Main board power options | Single 12V +/-10% DC 2-pin Terminal Block                                                                                                                                                                            |                         |                                                                                                                                                                                         |
| Mechanical               | Design: Rugged compact embedded design<br>Cooling: Fanless design<br>Construction: Aluminium with carbon fibre composite<br>Colour: Black<br>Dimensions: 108.50mm x 80.75mm x 53mm (W x H x D)<br>Gross Weight: 300g |                         |                                                                                                                                                                                         |

## I/O plate

