

Impact-P 103D



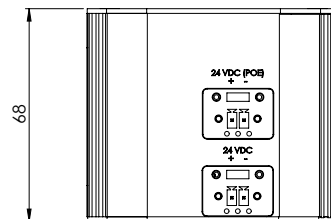
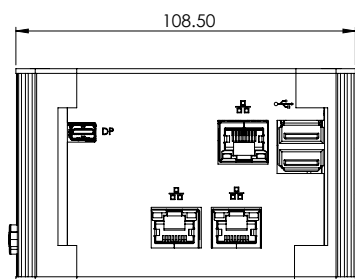
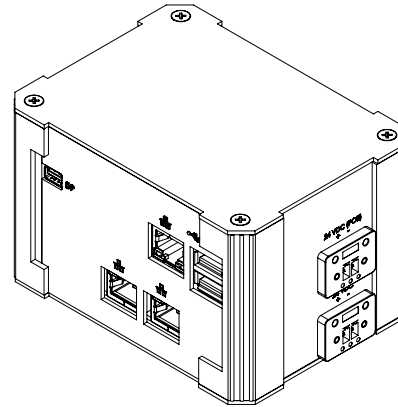
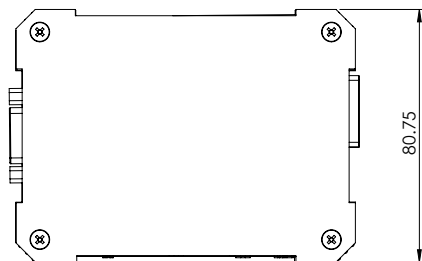
Features

The IoT Edge ready Impact-P 103D is an ultra-compact, DIN Rail mountable, low power embedded system, utilising the superb Intel Atom® X5-E3930 processing technology.

Key features:

- 3 year warranty
- 15 year life cycle
- DIN Rail Mount

Dimensions



Impact-P 103D

The information is believed to be accurate. However Amplicon Liveline Limited accepts no responsibility for any problems caused by errors and omissions. Specifications are subject to change without notice.

Specifications

Hardware Specification	CPU: Intel Atom® X5-E3930 Main memory: 4GB (Up to 8GB SODIMM DDR3L) LAN: 1x 10/100/1000Mbps port, 2x 10/100/1000Mbps PoE+	Environmental Storage	Temperature: -40°C to 85°C Humidity: 5% to 95% RH Non-condensing
BIOS	Insyde SPI 128Mbit (supports UEFI boot only)	Environmental Operation	Acoustic noise: Near silent operation Operating Temperature: -20°C to 70°C Humidity: 0 to 95% non-condensing MTBF: 715,458 hrs @ 25°C; 482,964 hrs @ 45°C ; 335,469 hrs @ 60°C
Display	1x Mini DP++: resolution up to 4096x2160 @ 60Hz		
Storage	1x 64GB M.2 SSD	Certifications	CE/UKCA
Supported O/S	Windows 10 IoT Enterprise (64-bit), Linux		
TPM	TPM 2.0		
External Interfaces	2x USB 3.1 Front 3x RJ45 LAN 1x RS-232/422/485 1x Mini DP++		
Main board power options	Main input: 24V ; PoE input: 24V		
Mechanical	Design: Rugged compact embedded design Cooling: Fanless design Construction: Aluminium with carbon fibre composite Colour: Black Dimensions: 108.50mm x 80.75 x 68mm (W x H x D) Gross Weight: 300g		

I/O plate

