

# Impact-R 1211F



## Features

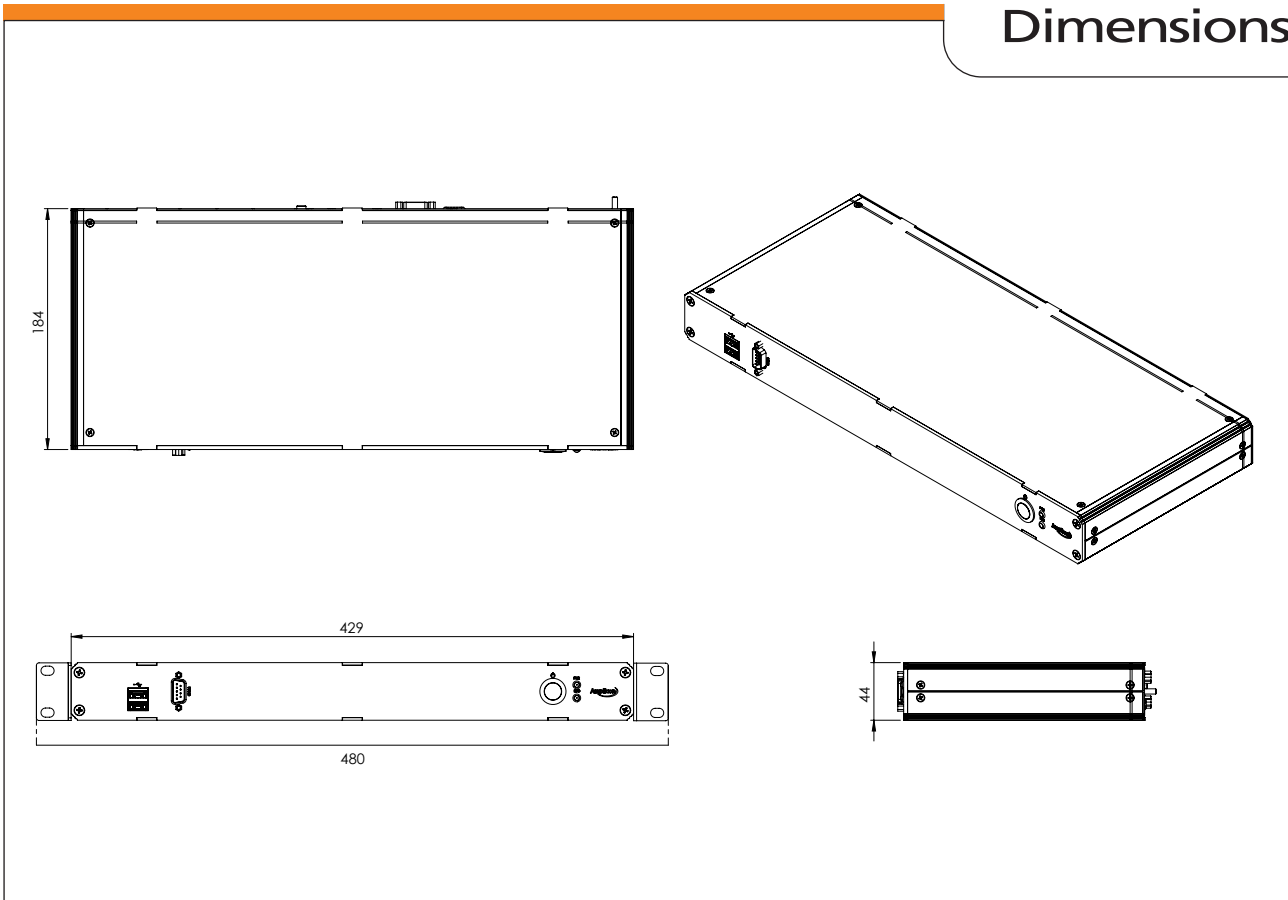
Constructed in the UK under ISO9001, the Impact-R 1211F series offers high-end ATOM processing power in a minimal foot-print chassis.

Customisation and OEM options available.

Key features:

- 3-year RTB warranty
- Heavy duty aluminium chassis
- 15-year life cycle
- Up to 10 DB9 COM ports
- Silent operation
- Removable rack ears

## Dimensions



## Impact-R 1211F

### Specifications

The information is believed to be accurate. However Amplicon Liveline Limited accepts no responsibility for any problems caused by errors and omissions. Specifications are subject to change without notice.

Hardware Specification	Processor: Intel® ATOM™ x6425E Processor, Quad Core, 1.5M Cache, 2.0GHz (3.0GHz), Memory: Dual SO-DIMM DDR4 up to 32GB Display: HDMI and DP++	LEDs and Switches	Power (PC on LED) Hard disk access LED ATX system control switch
BIOS	AMI	Environmental Operation	Operating Temperature: 0°C to 60°C Storage Temperature: -30°C to 80°C Operating Humidity: 5 to 90% RH
Display	HDMI: resolution up to 4096x2160 @24Hz DP++: resolution up to 4096x2160 @ 60Hz	Environmental Storage	Temperature: -20 C to 70 C Humidity : 5% to 90% @ 20 C
Storage	1 x 2.5" SSD/HDD 1 x M.2 2242/2280/3052 B Key	Certifications	CE/UKCA
System Expansion	1 x M.2 2242/2280/3052 B Key (PCIe x1/SATA/USB2.0) 1 x M.2 2230 E Key (PCIe x1/USB2.0) 1 x Nano SIM socket (connected to M.2 B key)		
Supported O/S	Windows 10, Windows 10 IoT, Windows 11, Linux		
Mechanical	Design: 19" Rackmount Construction: Heavy Duty Aluminium Front panel / Mounting ears black powder coating Body raw clean finish Dimensions (WxHxD mm): 429 x 44 x 184		
Power Input	100-240 VAC 1.5A 50-60Hz		
I/O Interfaces	Front I/O: 2 x USB 2.0 1 x RS-232/422/485 (COM 2) front  Rear I/O: 2 x USB 3.2 gen 2 2 x USB 3.2 gen 1 1 x RJ45 LAN (10/100/1000/2500Mbps) 1 x RS-232/422/485 4 x RS-232 1 x DP++ 1x HDMI 1 x line out		

### Rear I/O plate

