

KwikDraw-A 20HR

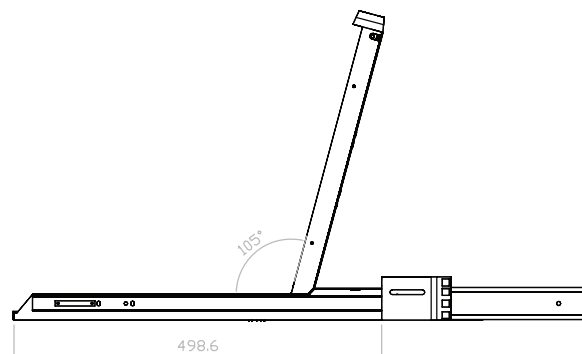
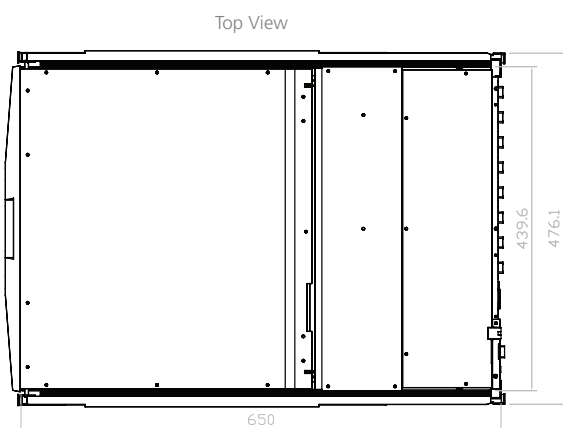
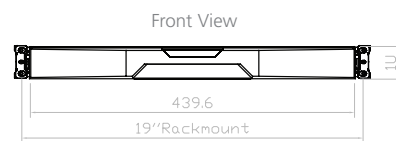
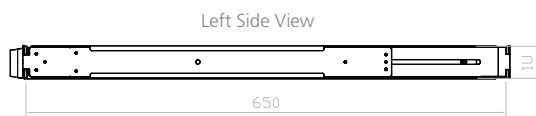


Features

Key features:-

- 1U 20" LCD console drawer
- Ultra high resolution 1600 x 1200
- 104-key keyboard with touchpad
- Enhanced aesthetics with moulded front handle and two point lock

Dimensions



Unit : mm

KwikDraw-A 20HR

Specifications

The information is believed to be accurate. However Amplicon Liveline Limited accepts no responsibility for any problems caused by errors and omissions. Specifications are subject to change without notice.

| | | | | |
|-----------|--|--|--|--|
| LCD Panel | Size (diagonal): 20.4" TFT Max resolution: 1600 x 1200 Brightness (cd/m ²): 300 Backlight: CCFL Colours: 16.7 M Contrast ratio (typ): 800 : 1 Viewing angle (H/V): 178° x 178° Active area (mm): 408 x 306 MTBF (hrs): 45,000 Signal input: VGA | Regulatory | Safety: FCC & CE certified Environmental: RoHS2 & REACH compliant | |
| | Casing Colour | Black (RAL 9005) | Power | Input: Auto-sensing 100 to 240VAC, 50 / 60Hz Consumption: Max. 48 Watt, Standby 5 Watt |
| | Weight | Net: 14.5kgs (31.9lbs) Gross: 22kgs (48.4lbs) | Environmental | Operating: 0 to 50°C Storage: -5 to 60°C Relative humidity: 5~90%, non-condensing Shock: 10G acceleration (11ms duration) Vibration: 5~500Hz 1G RMS random vibration |
| | Dimensions (W x D x H) | Product: 439.6 x 650 x 44 mm (17.3 x 25.6 x 1.73 in) Packing: 595 x 860 x 140 mm (23.4 x 33.9 x 5.5 in) | | |