

MGate™ EIP3000 Series

1 and 2-port EtherNet/IP to DF1 gateways



- > PCCC objects for Rockwell Automation networks supported
- > Use ProCOM to implement control via COM port mapping
- > 8 simultaneous EtherNet/IP client/server pairs with up to 16 queued requests
- > Serial redirector keeps the original serial master and slave connection while connecting devices to the Ethernet
- > EtherNet/IP and DF1 protocol analyzer for easy troubleshooting
- > Redundant dual DC power inputs
- > Built-in Ethernet cascading for easy wiring
- > -40 to 75°C wide operating temperature models available



Overview

MGate™ EIP3000 gateways provide EtherNet/IP to DF1 protocol conversion for users who need to connect Allen Bradley PLCs to an EtherNet/IP network. With a number of innovative functions, the

MGate™ series overcomes the difficulties of connecting between legacy serial devices and SCADA software. Both 1 and 2-port gateways are available for use with different sized control networks.

Protocol Conversion between DF1 and EtherNet/IP

By supporting PCCC objects on CIP, the MGate™ EIP3000 can communicate seamlessly with SCADA software such as RSLinx. For

users who develop control software based on EtherNet/IP, MGate EIP3000 offers the standard interface for connection.

Support for Multiple EtherNet/IP Connections

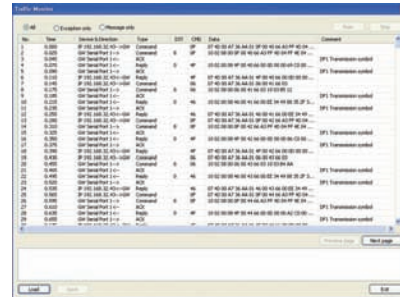
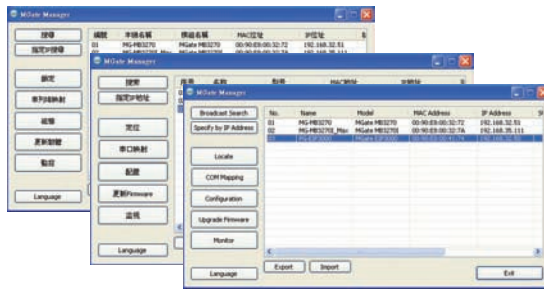
MGate™ EIP3000 gateways support up to 16 EtherNet/IP clients and servers simultaneously. Each client can send up to 16 requests

at a time, and the multiple connection capability can help establish redundancy for more complex control systems.

Windows Utility for Easy Setup and Traffic Monitoring

Moxa provides a user-friendly Windows utility with multi-language support. The utility supports a traffic monitoring function for EtherNet/IP and DF1 protocols, and not only logs events initiated by

the gateway, but also records all commands and responses that pass through the gateway. The utility helps users determine the root cause of failures and performance bottlenecks.



Serial Redirector Function Maintains Original Master/Slave Connections

The serial redirector function allows the commands of a serial master (command initiator) to be redirected to the serial slave (command executor) on another port. In addition, a serial master can operate simultaneously with EtherNet/IP masters without changing the DF1

architecture or software. With the serial redirector function, MGate™ EIP3000 gateways can establish redundant control of legacy slave devices that were originally designed to be controlled by a single serial master.

ProCOM Implements Control via COM Port Mapping

Each MGate™ EIP3000 gateway supports virtual serial ports for the remote PC. You can connect to the MGate™ EIP3000 through the COM port by using Moxa's Real COM driver, with the actual physical

connection over the Ethernet. The gateway supports up to 4 virtual COM port connections and offers greater flexibility when designing redundant control systems.

Pull high/low Resistors and Terminator Selection

When using termination resistors to prevent serial signal reflection, it is important to set the pull high/low resistors correctly so that the electrical signal is not corrupted. Since no set of resistor values is

universally compatible with all environments, the EIP3000 has DIP switches on the bottom panel for setting the termination and pull high/low resistor values.

Built-in Isolation

Complex device networks that incorporate high amperage devices could be subject to electrical signal distortion from electrical

discharges, magnetic noise, or common mode transients. MGate™ series products solve this problem by using built-in optical isolation.

Specifications

Ethernet Interface

Number of Ports: 2 (2 IPs)

Speed: 10/100 Mbps, Auto MDI/MDIX

Connector: 8-pin RJ45

Magnetic Isolation Protection: 1.5 KV built-in

Serial Interface

Number of Ports:

EIP3170/3170I: 1

EIP3270/3270I: 2

Serial Standards: RS-232/422, software selectable

Connectors:

EIP3170/3170I: DB9 male for RS-232, terminal block for RS-422

EIP3270/3270I: DB9 male x 2

ESD Protection: 15 KV for all signals

Serial Communication Parameters

Data Bits: 8

Stop Bits: 1, 2

Parity: None, Even, Odd

Flow Control: RTS/CTS, DTR/DSR (RS-232 only)

Baudrate: 1200 bps to 921.6 Kbps

Serial Signals

RS-232: Tx+, Rx+, RTS, CTS, DTR, DSR, DCD, GND

RS-422: Tx+, Tx-, Rx+, Rx-, GND

Ethernet Protocol: CIP (PCCC) on EtherNet/IP

Serial Protocol: DF1 Full-duplex

Software

Driver Support: Windows Real COM Drivers: Windows 2000, Windows XP/2003/Vista/2008/7 x86/x64

Physical Characteristics

Housing: Plastic

Weight:

MGate EIP3170: 360 g

MGate EIP3270: 380 g

Dimensions:

Without ears: 29 x 89.2 x 118.5 mm (1.14 x 3.51 x 4.67 in)

With ears extended: 29 x 89.2 x 124.5 mm (1.14 x 3.51 x 4.90 in)

Environmental Limits

Operating Temperature:

Standard Models: 0 to 55°C (32 to 131°F)

Wide Temp. Models: -40 to 75°C (-40 to 167°F)

Storage Temperature: -40 to 85°C (-40 to 185°F)

Ambient Relative Humidity: 5 to 95% (non-condensing)

Power Requirements

Input Voltage: 12 to 48 VDC

Power Connector: Terminal block

Power Consumption:

MGate M3170: 435 mA (max.)

MGate M3170I: 555 mA (max.)

MGate M3270: 435 mA (max.)

MGate M3270I: 510 mA (max.)

Standards and Certifications

Safety: UL 508, EN 60950-1

Hazardous Location:

UL/cUL Class 1 Division 2 Groups A/B/C/D,

ATEX Zone 2

EMC: CE, FCC

EMI: EN 55022 Class A, FCC Part 15 Subpart B Class A

EMS:

EN 55024,

EN 61000-4-2 (ESD) Level 3,

EN 61000-4-3 (RS) Level 3,

EN 61000-4-4 (EFT) Level 4,

EN 61000-4-5 (Surge) Level 3,

EN 61000-4-6 (CS) Level 3,

EN 61000-4-8,

EN 61000-4-11,

Shock: IEC 60068-2-27

Freefall: IEC 60068-2-23

Vibration: IEC 60068-2-6

Reliability

MTBF (mean time between failures):

MGate EIP3170: 210,794 hrs

MGate EIP3270: 125,234 hrs

Warranty

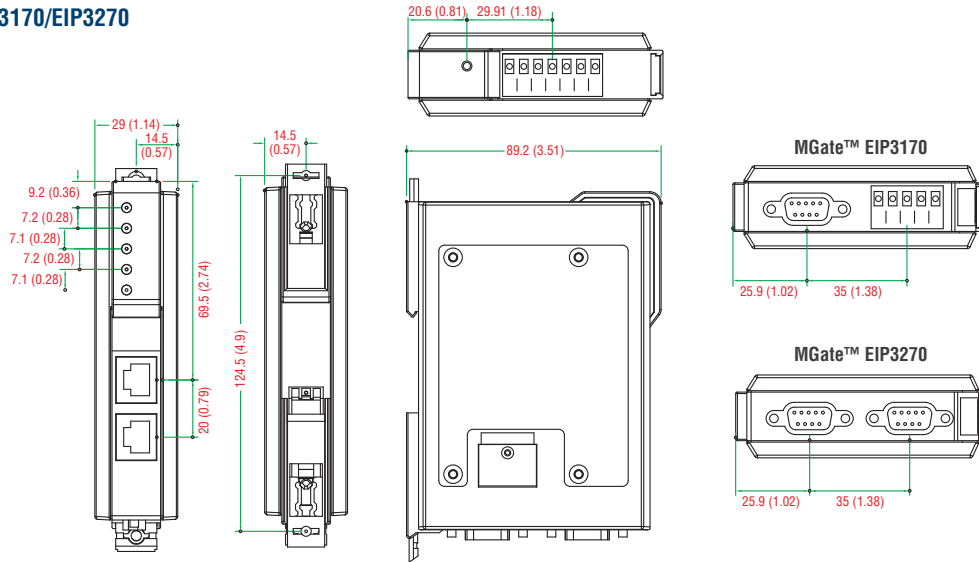
Warranty Period: 5 years

Details: See www.moxa.com/warranty

Dimensions

EIP3170/EIP3270

Unit: mm (inch)



Ordering Information

Available Models

MGate EIP3170: 1-port EtherNet/IP to DF1 gateway, 0 to 55°C operating temperature

MGate EIP3170I: 1-port EtherNet/IP to DF1 gateway with 2 KV isolation, 0 to 55°C operating temperature

MGate EIP3270: 2-port EtherNet/IP to DF1 gateway, 0 to 55°C operating temperature

MGate EIP3270I: 2-port EtherNet/IP to DF1 gateway with 2 KV isolation, 0 to 55°C operating temperature

MGate EIP3170-T: 1-port EtherNet/IP to DF1 gateway, -40 to 75°C operating temperature

MGate EIP3170I-T: 1-port EtherNet/IP to DF1 gateway with 2 KV isolation, -40 to 75°C operating temperature

MGate EIP3270-T: 2-port EtherNet/IP to DF1 gateway, -40 to 75°C operating temperature

MGate EIP3270I-T: 2-port EtherNet/IP to DF1 gateway with 2 KV isolation, -40 to 75°C operating temperature

Optional Accessories (can be purchased separately)

DR-45-24: 24 VDC DIN-rail power supply (2 A @ 45 W) with universal 85 to 264 VAC input

DR-75-24: 24 VDC DIN-rail power supply (3.2 A @ 75 W) with universal 85 to 264 VAC input

DR-120-24: 24 VDC DIN-rail power supply (5 A @ 120 W) with switch for choosing 88 to 132 VAC, or 176 to 264 VAC input

Package Checklist

- 1 MGate EIP3170 or EIP3170I or EIP3270 or EIP3270I EtherNet/IP gateway
- Documentation and software CD
- Quick installation guide (printed)
- Warranty card