

# Senses 7170



## Features

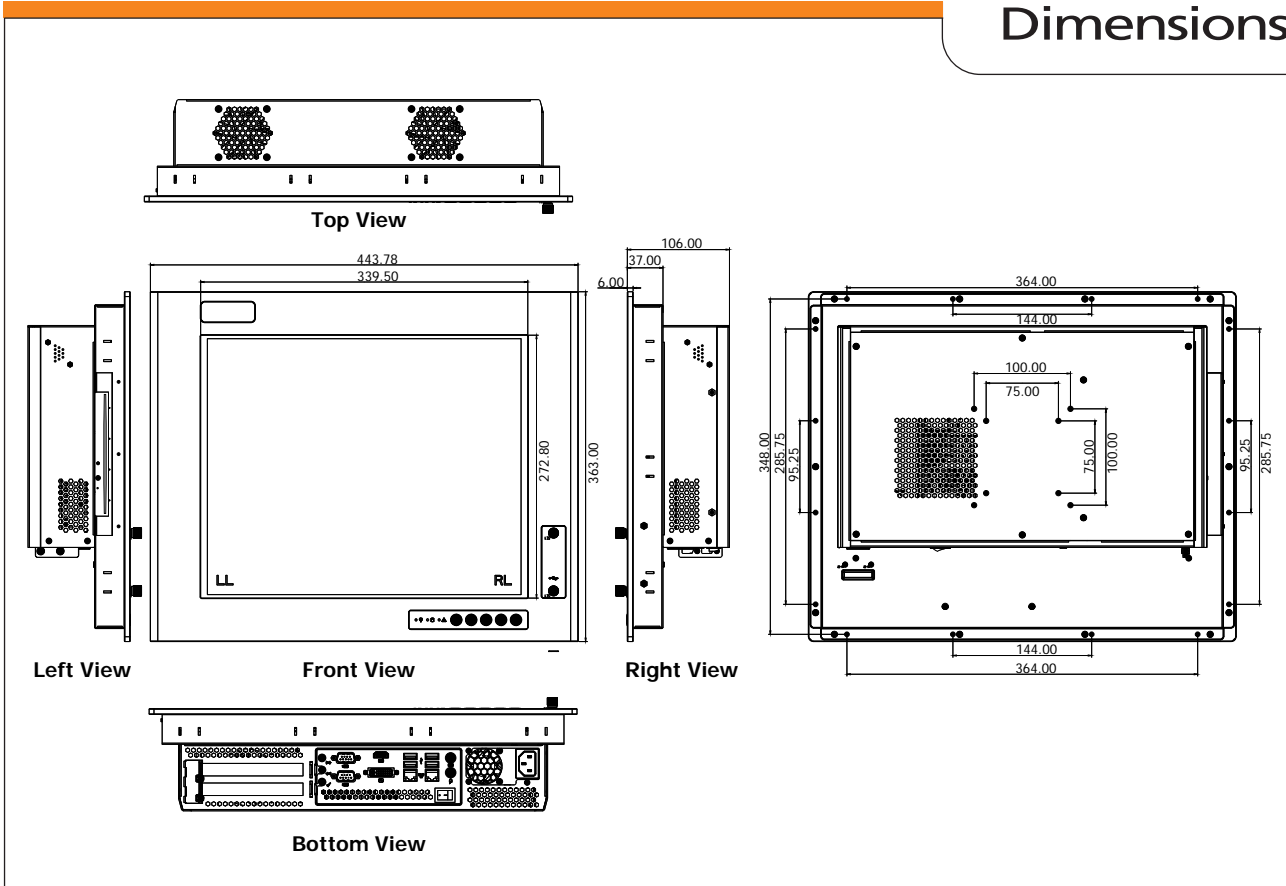
The Senses 7170 is an expandable industrial panel PC utilising the Intel® H61 Express chipset and provides a 17" TFT LCD resistive touchscreen and an IP65 rated front panel.

Features:

- PCI and PCIe x1 Expansion
- Built-in antenna for Wi-Fi
- IP65 Front panel
- VESA/Wall/Panel mountable

Each Industrial Panel PC comes with a 2 year warranty.

## Dimensions



## Senses 7170

## Specifications

The information is believed to be accurate. However Amplicon Liveline Limited accepts no responsibility for any problems caused by errors and omissions. Specifications are subject to change without notice.

Hardware specification	Supported CPU 2 <sup>nd</sup> Generation: Intel® Core™ i7-2600, 3.4GHz, 8MB Smart Cache Intel® Core™ i5-2400, 3.1GHz, 8MB Smart Cache Supported CPU 3 <sup>rd</sup> Generation: Intel® Core™ i7-3770, 3.4GHz, 8MB Smart Cache Main Memory: 2GB DDR3 1333MHz (max 16GB DDR3 1600MHz) Chipset: Intel® H61 Express chipset Video: Intel® HD Graphics Audio: ALC886 5.1 channel High Definition audio LAN: Dual GbE Intel® Ethernet controllers WLAN: Optional mPCIe	Touchscreen	5 wire Resistive type
BIOS	AMI	Mechanical	Construction: Aluminium front bezel (stainless steel chassis) Front Panel: IP65 (including USB ports) Dimension: 443 x 363 x 106mm (W x H x D) Gross weight: 11.4kg
Storage	1 x 2.5" HDD/SSD	Mounting orientation	Panel mount (kit optional) Rackmount (kit optional)
System expansion	1 x PCIe1 1 x PCI 1 x mPCIe	Environmental	Temperature: -Operating: -10°C ~ +50°C -Storage: -20°C ~ +60°C Relative Humidity -90% RH at +50°C
Supported OS (Operating System)	Windows XP Pro, Windows Vista, Windows 7, Windows 8, Linux Ubuntu 13  If your desired operating system is not listed, please contact us.	Power supply	Power Type: ATX Power Input voltage: -AC 100-240V, 3.5A, 250W
External Interfaces	1 x DVI-I 1 x HDMI 2 x DB9 COM ports (1 x RS232, 1 x RS232/422/485) 2 x GbE RJ45 1 x PS/2 Keyboard, 1 x PS/2 Mouse 4 x USB 2.0 Type "A" 1 x MIC In, 1 x Line In, 1 x Line Out	Electromagnetic compatibility (EMC)	EN55022 Class A EN55024  Electrostatic discharge immunity test (EN61000-4-2) Radiated, radio-frequency, electromagnetic field immunity test (EN61000-4-3) Electrical fast transient/burst immunity test (EN61000-4-4) Surge Immunity test (EN61000-4-5) Immunity to conducted disturbances induced by radio frequency fields (EN61000-4-6) Voltage dips, short interrupts and voltages variations immunity tests (EN61000-4-11) Limits for harmonic current measurement (EN 61000-3-2) Limitation of voltage changes, voltage fluctuations and flicker (EN 61000-3-3)  Amplicon own a fully equipped EMC facility and can provide many additional tests to meet your requirements.
LEDs and switches (bottom)	System ON/OFF power switch 3 x LED indicators (Power, HDD, Alarm) 5 x Function keys	Safety	EN60950 CE Marked
LCD panel	Display type: 17" TFT LCD Brightness (cd/m): 380nits		

## Panel Mount

