

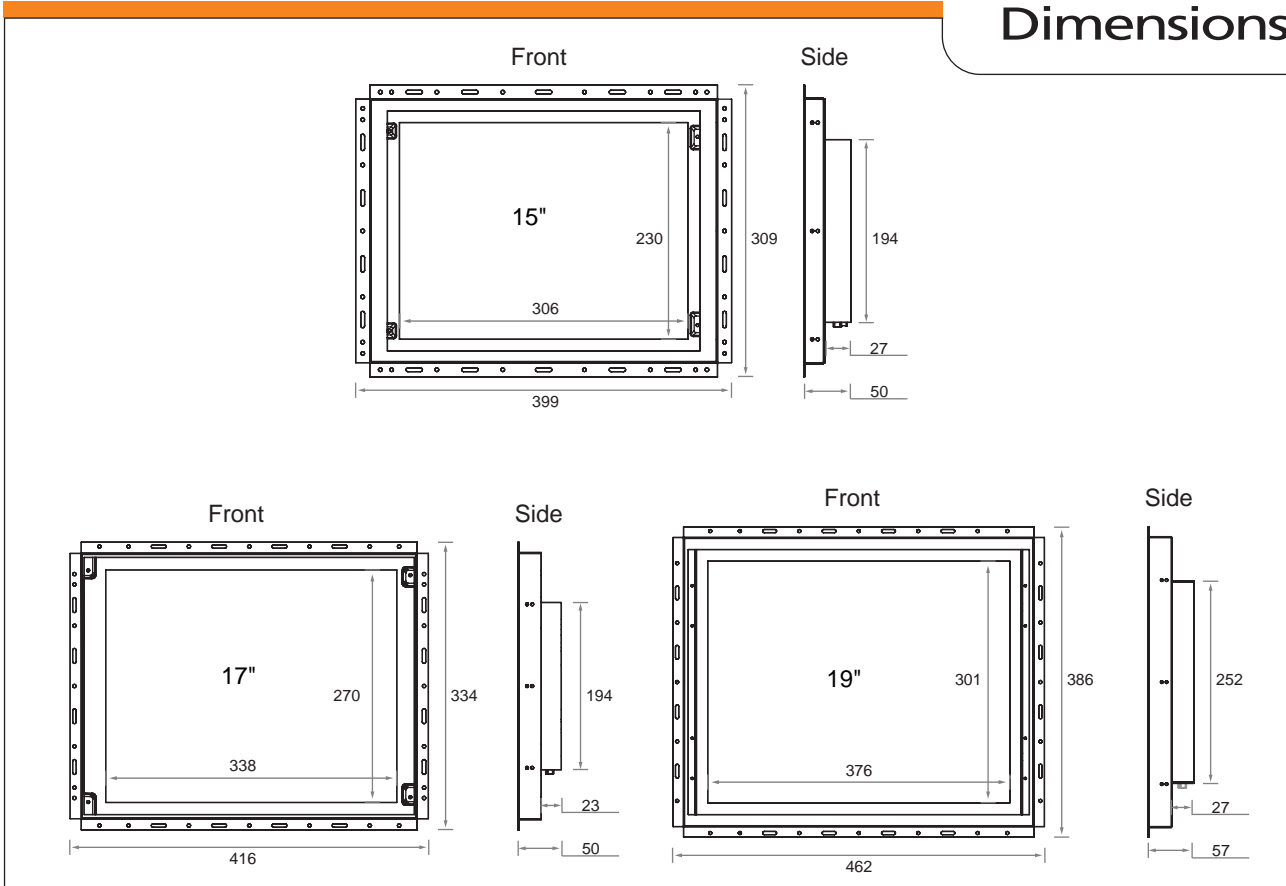
Senses Open Frame Display



Features

- Standard VESA mounting
- Grade A Samsung LED
- Multi-lingual OSD
- 15" / 17" / 19" options
- 2 year warranty

Dimensions



Senses Open Frame Display

Specifications

The information is believed to be accurate. However Amplicon Liveline Limited accepts no responsibility for any problems caused by errors and omissions. Specifications are subject to change without notice.

Model	15"	17"	19"
Max resolution	1280 x 768	1280 x 1024	1280 x 1024
Brightness (cd/m2)	250	300	300
Colors	16.2 M	16.2 M	16.7M
Contrast ratio (typ)	400 : 1	700 : 1	700 : 1
Viewing angle (L/R/U/D)	65 / 65 / 50 / 60	75 / 75 / 75 / 60	75 / 75 / 75 / 60
MTBF (hrs)	50,000	50,000	50,000
Signal input	VGA	VGA	VGA and DVI-D
Weight	Net	5.5 kgs (12.1 lbs)	6 kgs (13.2 lbs)
	Gross	5.5 kgs (12.1 lbs)	7.5 kgs (16.5 lbs)
Operating Temp	0 to 50°C Degree		
Storage Temp	-10 to 60°C Degree		
Relative humidity	5~90%, non-condensing		
Shock	10G acceleration (11 ms duration)		
Vibration	5~500Hz 1G RMS random vibration		
Regulatory	FCC, CE		
Input	Auto-sensing 100 to 240VAC, 50 / 60Hz		
Product Dimensions	399 x 309 x 50 mm 15.7 x 12.1 x 1.9 inch	416 x 334 x 50 mm / 16.3 x 13.1 x 1.6 inch	462 x 386 x 57 mm / 18.1 x 15.1 x 2.2 inch
Packing Dimensions	558 x 473 x 105 mm / 21.9 x 18.6 x 4.1 inch	653 x 558 x 112 mm / 25.7 x 21.9 x 4.4 inch	653 x 558 x 112 mm / 25.7 x 21.9 x 4.4 inch